

SAMPLING RESTRICTIONS GUIDELINE

CORE

If DSD only hold $\frac{1}{3}$ slab sampling requires specific approval of Energy Resources Division, clients may be referred to GA Core Library.

CUTTINGS

- Cuttings samples must be 10 grams per sample.
- At least 100 grams of cuttings per bag must be left after sampling.
- Bags may be reduced to 50 grams with specific approval of Energy Resources Division.

TYPE SECTIONS

Sampling of cuttings and core over any type sections must be approved by Energy Resources Division.

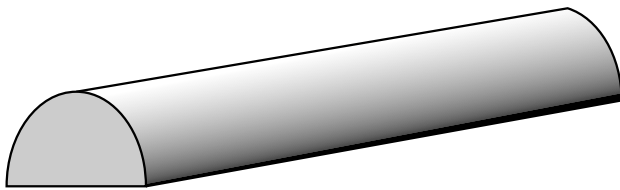
Information on type sections can be obtained from SA_GEODATA at DSD.

CORE SAMPLING

NARROW DIAMETER

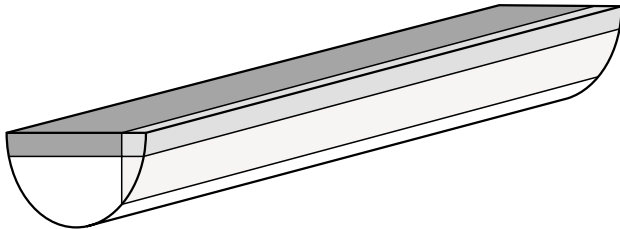
Core (<5" (inches) Petroleum standard):

$\frac{1}{2}$



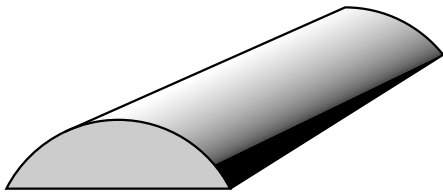
*No sampling
photograph only*

$\frac{1}{2}$



*Cut slivers of core only
and minimises sample
size*

STANDARD DIAMETER



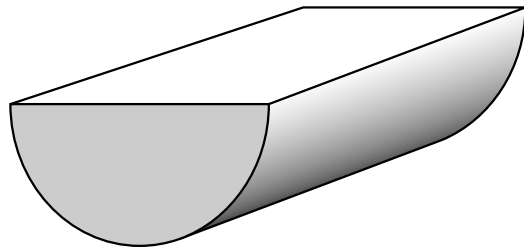
$\frac{1}{3}$ Slab



No sampling



Photograph only



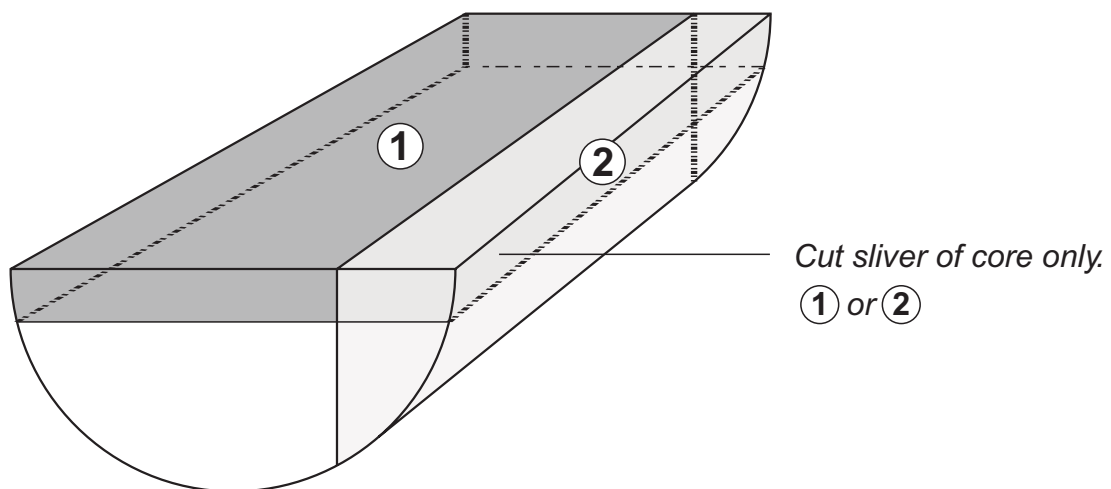
$\frac{2}{3}$ Slab – All sampling

Check to ensure no duplication of sampling analysis occurs (PEPS database)

LARGE SCALE CORE SAMPLING

Usually for destructive AFTA (Apatite Fission Track Analysis) geochronology, ZFTA (Zircon Fission Track Analysis), Rb/Sr age dating, coal analysis.

1. Sample offcuts or rubble from core tray first.
2. If more material needed:



3. Aim to to minimise sample size to preserve the core.
No complete core intervals to be removed.
4. Temporary removal of whole core for non-destructive tests
(eg: core GR, photography, CT scanning, gamma ray spectrometry)
will be approved.

SMALL SCALE CORE SAMPLING

Petrology, SEM, XRD, palaeontology, organic geochemistry, fluid inclusion, stable isotopes, XRF, SCAL (porosity, permeability, grain density, capillary pressure, mercury injection) TOC, carbon isotopes, chemical analysis rock evaluation, thermal conductivity etc.

With the increasing scarcity and worth of core, the emphasis on all core sampling is to minimise the break up of the core face, use as little as possible and return non destroyed sample.

